

# Precautions

## 1. When Selecting Connectors



- (1) Select a connector that meets your voltage and current requirements.
- (2) Select a connector that is suitable for the method of use, place of use and operating environment.
- (3) Select a connector that has a socket contact incorporated on the power supply side.
- (4) Select a waterproof cable packing that is suitable for the finishing OD of the cable to use.  
( The waterproof connector is waterproofed when coupled. )
- (5) Select a cable of structure that does not damage the close contact with the cable packing ID part when the cable clamp ( clamp nut ) is tightened.

## 2. When Installing Connectors



- (1) Prior to starting connection work, be sure to read and understand the "wire connecting method."
- (2) Do not heat the contact more than necessary.
- (3) Never modify the connector. A modified connector may lose its intended performance.
- (4) Do not use the connector in such a way that undue force is applied to the connections.
- (5) Show the precautions listed in the following "3. When Using Connectors "in instruction manuals of associated equipment as needed.
- (6) Install connectors so that they will not suffer undue loading by the weight of cables.

## 3. When Using Connectors



- (1) Be sure to use the connector within its rated capacity.
- (2) Never insert or extract the connector when energized. Such a practice is very dangerous.
- (3) Never insert or extract the connector with wet hands. Such a practice is very dangerous.
- (4) When coupling the connector, always check the guide position and never apply undue force.
- (5) Insert and extract the connector straight.
- (6) Do not use the connector with damaged insulator or cover.
- (7) Do not use the connector with deformed or damaged contact.
- (8) Do not insert a foreign matter or a pin contact having a different OD into the socket contact.
- (9) The connectors are constructed with projecting or exposed threads. When handling the connectors, exercise caution so that your hands will not be cut by them.
- (10) When the connector is not coupled, use a cap to protect its contact.
- (11) When inserting or extracting the connector, do not turn the connector body.
- (12) Do not apply undue force to the connector.
- (13) Our products have no compatibility with other maker's products.  
The guarantee is not applicable to any trouble incurred by connecting our products with other maker's products.

## 4. When Ordering Connectors

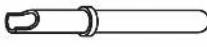
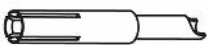
- (1) When a quality assurance program exists that is specific to a particular industrial field where connectors are to be used, or when connectors are to be used in advanced applications such as nuclear power control systems, aerospace equipment, submarine relay and medical life support instruments, equipment and systems, please consult with us in advance.

When using products listed in this catalog, follow the laws and regulations that apply to your purposes of use of connectors.

# Shapes and Combination of Connectors

## Contact shapes

- There are two types of contacts incorporated into a connector male shape and female shape.

Pin ( male shape ) contact		M (e.g. : PM, RM, AdM)
Socket ( female shape ) contact		F (e.g. : PF, RF, AdF)

**< S Type >** A group of plugs with socket (female) contact incorporated and receptacles and adapters that couple with them.

Shape

- Plugs with socket ( female ) contact incorporated ..... P, PF, LP, LPF, GP, GPF, SP, SPF, PFK
- Receptacles with pin ( male ) contact incorporated ..... R, RM, R kaku, CRM, RBM, RBP
- Adapters with pin ( male ) contact incorporated ..... Ad, AdM, Ad(F), Ad(F)M, AdMK, Ad(F)MK, GAd, GAdM, GAd(F)M

**< G Type >** A group of plugs with pin ( male ) contact incorporated and receptacles and adapters that couple with them.

Shape

- Plugs with pin ( male ) contact incorporated ..... PM, LPM, GPM, SPM, PMK
- Receptacles with socket ( female ) contact incorporated ..... RF, RF kaku, CRF, RBF
- Adapters with socket ( female ) contact incorporated ..... AdF, AdF(F), Ad(F)F, AdFK, Ad(F)FK, GAdF, GAd(F)F

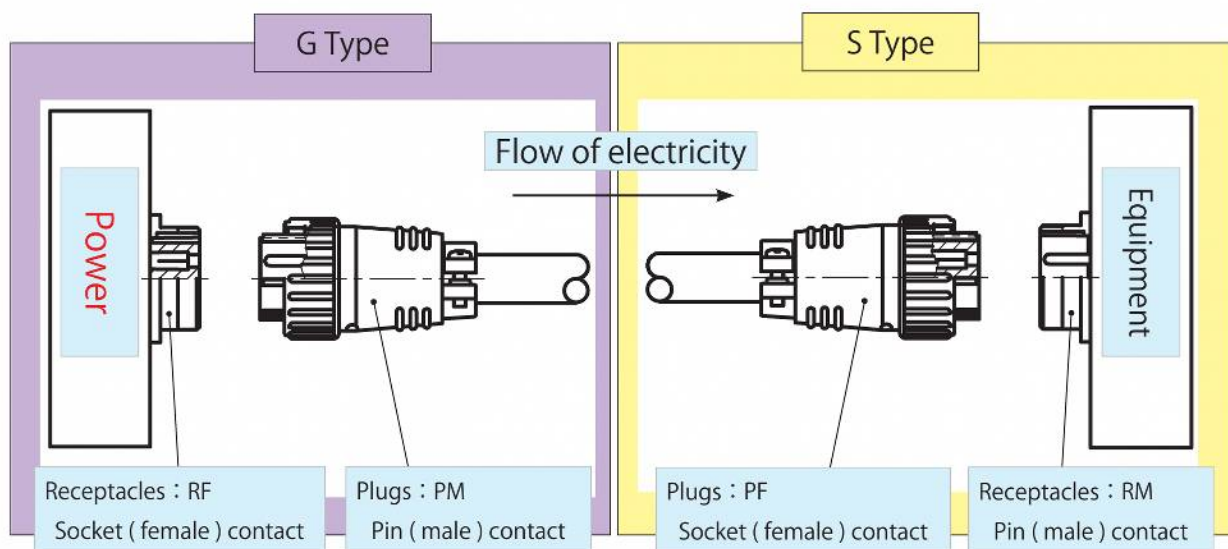
\* The S Type of [ NCS ] and [ NWPC ] Series in all shapes of PF, RM, AdM, etc. is indicated simply by P, R, Ad, etc. with the contact shape symbol omitted.

( Plugs : PF → P , Receptacles : RM → R , Adapters : AdM → Ad , Adapters with flange : AdM(F) → Ad(F) )

\* Only with [ NCS ] and [ NWPC ] Series, the adapters with flange are designated by the contact symbol placed before ( F ).

Example: AdF(F)

※ Caution: The S Type and the G Type cannot be coupled.



Inserting or pulling out the connector in conduction is very dangerous. Be sure to turn off the power in advance.



The pin contact type has an **exposed electrode**. If it is used on the [ power supply ] side, it may cause **electric shock** or **short-circuit accidents**. To prevent such accidents, use the socket contact type on the [ power supply ] side and the pin contact type on the [ equipment ] side.